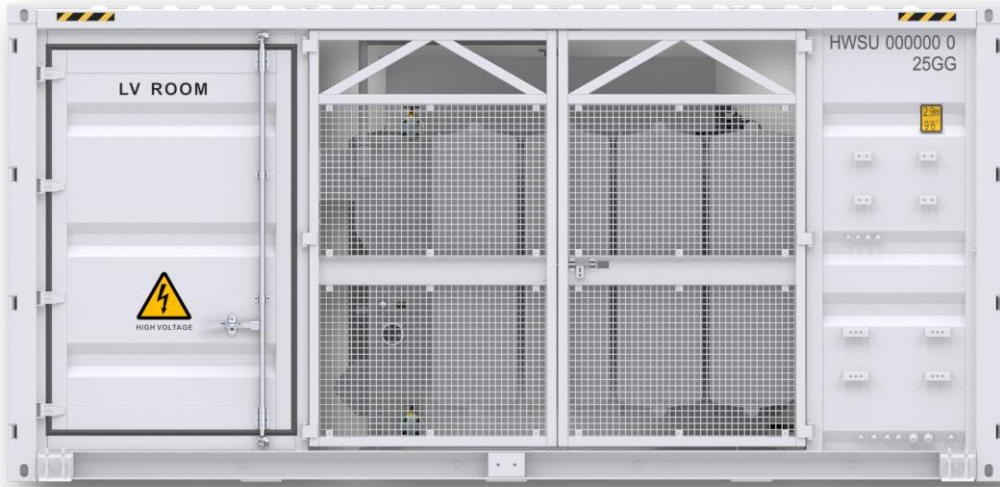


STS-6000K-H1

Smart Transformer Station



Simple

Prefabricated and Pre-tested, No Internal Cabling Needed Onsite
Compact 20' HC Container Design for Easy Transportation



Efficient

High Efficiency Transformer for Higher Yields
Lower Self-consumption for Higher Yields



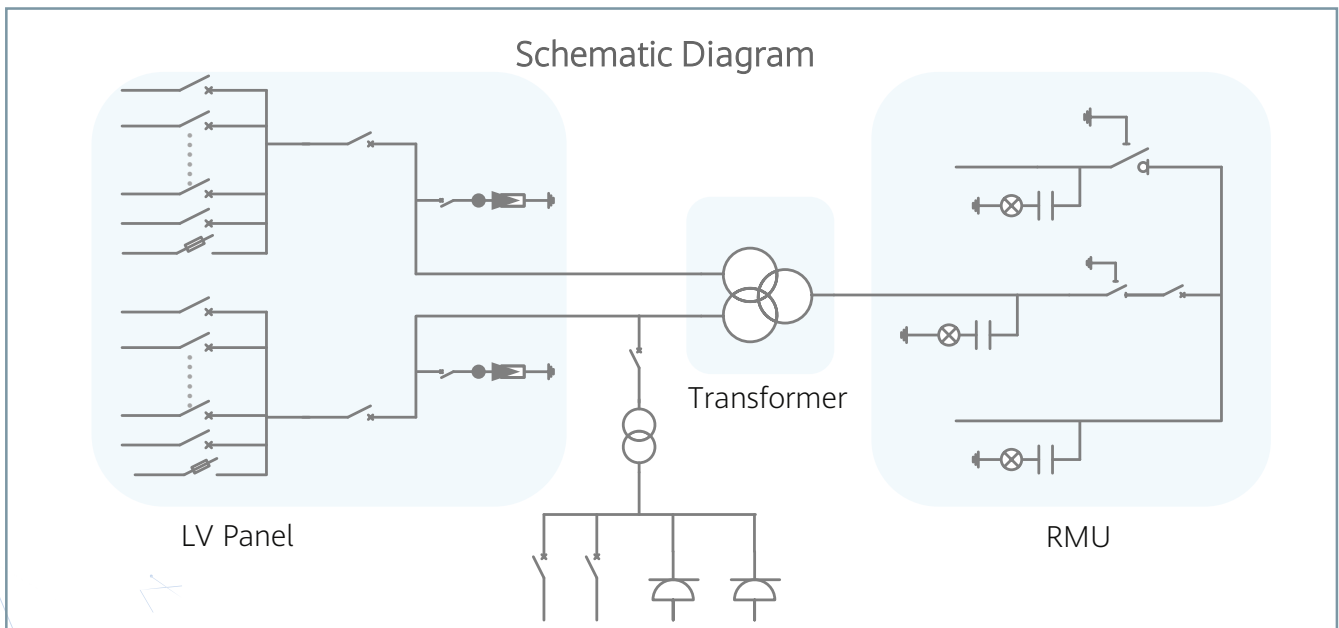
Smart

Real-time Monitoring of Transformer, LV Panel and RMU
High Precision Sensor of LV Electricity Parameters
Remote Control of ACB and MV Circuit Breaker



Reliable

Robust Design against Harsh Environments
Optimal Cooling Design for High Availability and Easy O&M
Comprehensive Tests from Components, Device to Solution



STS-6000K-H1

Technical Specifications

Input		
Available Inverters / PCS	SUN2000-200KTL / SUN2000-215KTL / LUNA2000-200KTL	
Maximum LV AC Inputs	34	
AC Power	6,800 kVA @40°C ¹	
Rated Input Voltage	800 V	
LV Main Switches	ACB (2900 A / 800 V / 3P, 2 x 1 pcs), MCCB (250 A / 800 V / 3P, 2 x 17 pcs)	
Output		
Rated Output Voltage	11 kV, 15 kV, 20 kV, 22 kV, 30 kV, 33 kV, 35 kV ²	13.8 kV, 34.5 kV ²
Frequency	50 Hz	60 Hz
Transformer Type	Oil-immersed, Conservator Type	
Transformer Cooling Type	ONAN	
Transformer Tappings	± 2 x 2.5%	
Transformer Oil Type	Mineral Oil (PCB Free)	
Transformer Vector Group	Dy11-y11	
Transformer Min. Peak Efficiency Index	Tier 1 or Tier 2 In Accordance with EN 50588-1	
RMU Type	SF ₆ Gas Insulated	
RMU Transformer Protection Modules	MV Vacuum Circuit Breaker Modules	
RMU Cable Incoming / Outgoing Modules	1 or 2 Cable Modules	
Auxiliary Transformer	Dry Type Transformer, 5 kVA, Dyn11	
Output Voltage of Auxiliary Transformer	400 / 230 Vac or 220 / 127 Vac	
Protection		
Transformer Monitoring & Protection	Oil Level, Oil Temperature, Oil Pressure and Buchholz	
Protection Degree of MV & LV Room	IP 54	
Internal Arcing Fault Classification of STS	IAC A 20 kA 1s	
MV Relay Protection	50/51, 50N/51N	
LV Overvoltage Protection	Type I+II	
Features		
2 kVA UPS	Optional ³	
Updated to 50 kVA Auxiliary Transformer	Optional ³	
IMD	Optional ³	
Safety Interlocking for STS	Optional ³	
MV Surge Arrester for MV VCB	Optional ³	
Updated to LBS Module as RMU Outgoing	Optional ³	
General		
Dimensions (W x H x D)	6,058 x 2,896 x 2,438 mm (20' HC Container)	
Weight	< 22 t	
Operating Temperature Range	-25°C ~ 60°C ⁴ (-13°F ~ 140°F)	
Relative Humidity	0% ~ 95%	
Max. Operating Altitude	1,000 m ⁵	1,500 m ⁵
LV & MV Room Cooling	Smart Cooling without Air-across for Higher Availability	
Communication	Modbus-RTU, Preconfigured with Smartlogger3000B	
Applicable Standards	IEC 62271-202, EN 50588-1, IEC 60076, IEC 62271-200, IEC 61439-1	

1 - More detailed AC power of STS, please refer to the de-rating curve.

2 - Rated output voltage from 10 kV to 35 kV, more available upon request

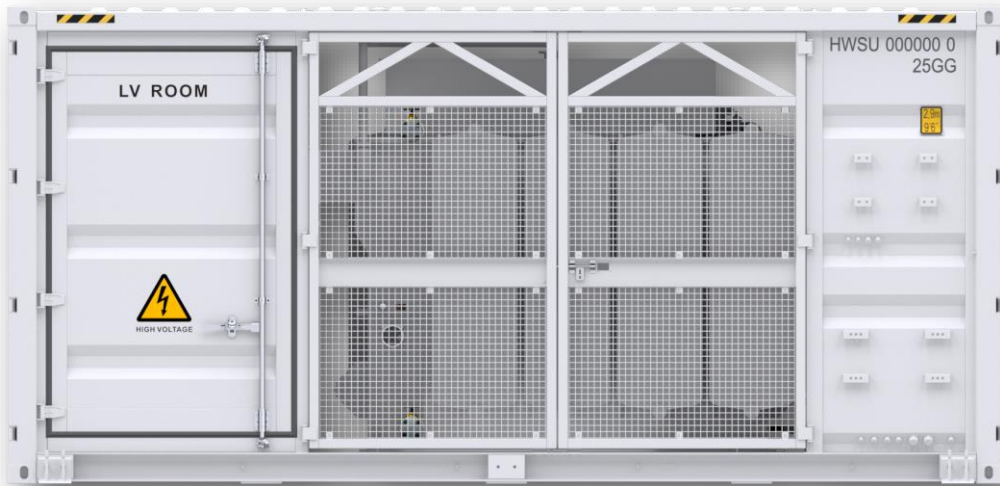
3 - Extra expense needed for optional features which standard product doesn't contain, more options upon request.

4 - When ambient temperature ≥55°C, awning shall be equipped for STS on site by customer.

5 - For higher operating altitude, pls consult with Huawei.

STS-3000K-H1

Smart Transformer Station



Simple

Prefabricated and Pre-tested, No Internal Cabling Needed Onsite
Compact 20' HC Container Design for Easy Transportation



Efficient

High Efficiency Transformer for Higher Yields
Lower Self-consumption for Higher Yields



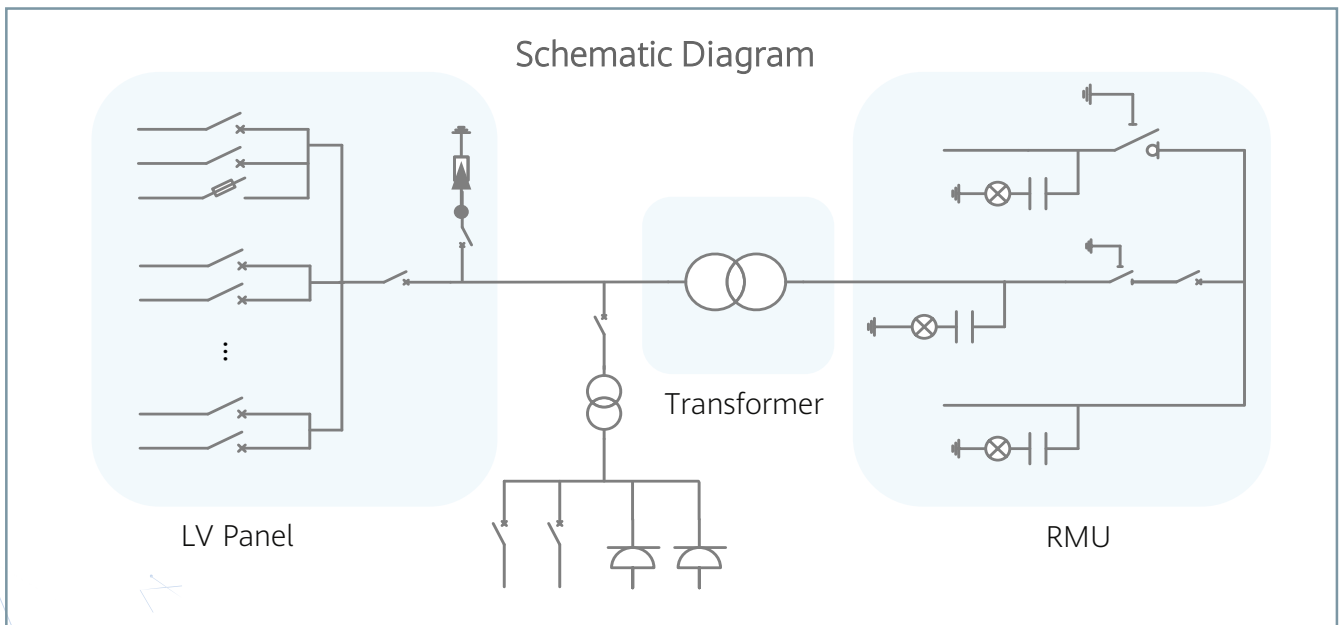
Smart

Real-time Monitoring of Transformer, LV Panel and RMU
High Precision Sensor of LV Electricity Parameters
Remote Control of ACB and MV Circuit Breaker



Reliable

Robust Design against Harsh Environments
Optimal Cooling Design for High Availability and Easy O&M
Comprehensive Tests from Components, Device to Solution



Technical Specifications

Input		
Available Inverters / PCS	SUN2000-200KTL / SUN2000-215KTL / LUNA2000-200KTL	
Maximum LV AC Inputs	17	
AC Power	3,400 kVA @40°C ¹	
Rated Input Voltage	800 V	
LV Main Switches	ACB (2900 A / 800 V / 3P, 1 pcs), MCCB (250 A / 800 V / 3P, 17 pcs)	
Output		
Rated Output Voltage	11 kV, 15 kV, 20 kV, 22 kV, 30 kV, 33 kV, 35 kV ²	13.8 kV, 34.5 kV ²
Frequency	50 Hz	60 Hz
Transformer Type	Oil-immersed, Conservator Type	
Transformer Cooling Type	ONAN	
Transformer Tappings	± 2 x 2.5%	
Transformer Oil Type	Mineral Oil (PCB Free)	
Transformer Vector Group	Dy11	
Transformer Min. Peak Efficiency Index	Tier 1 or Tier 2 In Accordance with EN 50588-1	
RMU Type	SF ₆ Gas Insulated	
RMU Transformer Protection Modules	MV Vacuum Circuit Breaker Modules	
RMU Cable Incoming / Outgoing Modules	1 or 2 Cable Modules	
Auxiliary Transformer	Dry Type Transformer, 5 kVA, Dyn11	
Output Voltage of Auxiliary Transformer	400 / 230 Vac or 220 / 127 Vac	
Protection		
Transformer Monitoring & Protection	Oil Level, Oil Temperature, Oil Pressure and Buchholz	
Protection Degree of MV & LV Room	IP 54	
Internal Arcing Fault Classification of STS	IAC A 20 kA 1s	
MV Relay Protection	50/51, 50N/51N	
LV Overvoltage Protection	Type I+II	
Features		
2 kVA UPS	Optional ³	
Updated to 50 kVA Auxiliary Transformer	Optional ³	
IMD	Optional ³	
Safety Interlocking for STS	Optional ³	
MV Surge Arrester for MV VCB	Optional ³	
Updated to LBS Module as RMU Outgoing	Optional ³	
General		
Dimensions (W x H x D)	6,058 x 2,896 x 2,438 mm (20' HC Container)	
Weight	< 15 t	
Operating Temperature Range	-25°C ~ 60°C ⁴ (-13°F ~ 140°F)	
Relative Humidity	0% ~ 95%	
Max. Operating Altitude	1,000 m ⁵	1,500 m ⁵
LV & MV Room Cooling	Smart Cooling without Air-across for Higher Availability	
Communication	Modbus-RTU, Preconfigured with Smartlogger3000B	
Applicable Standards	IEC 62271-202, EN 50588-1, IEC 60076, IEC 62271-200, IEC 61439-1	

1 - More detailed AC power of STS, please refer to the de-rating curve.

2 - Rated output voltage from 10 kV to 35 kV, more available upon request

3 - Extra expense needed for optional features which standard product doesn't contain, more options upon request.

4 - When ambient temperature ≥55°C, awning shall be equipped for STS on site by customer.

5 - For higher operating altitude, pls consult with Huawei.